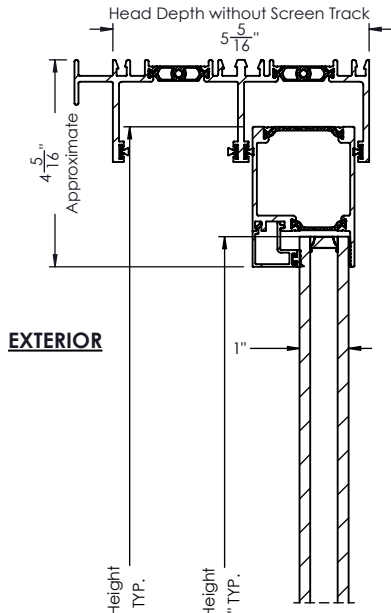
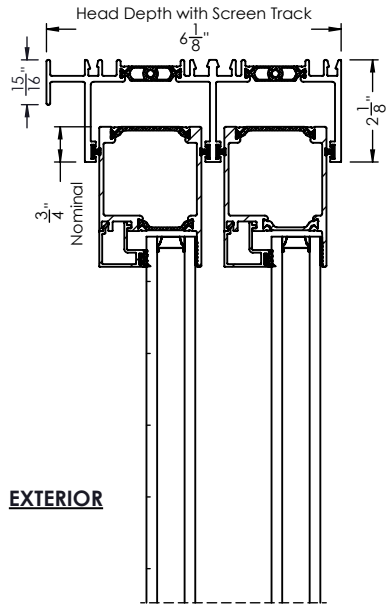


RAM S3000, OX SLIDING DOOR

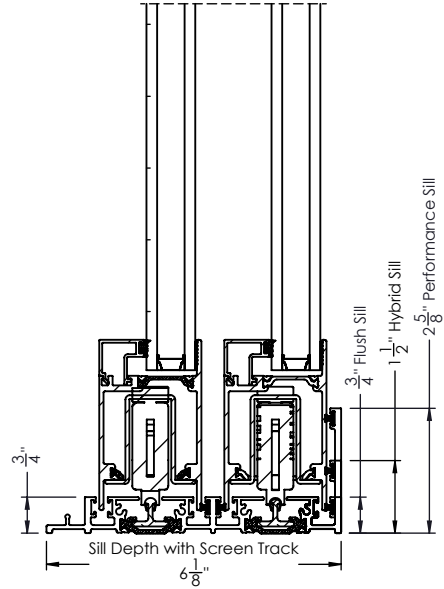
ZONE		REV	DESCRIPTION	DATE	APPROVED
		0	Initial Release	11/1/2023	

PANELS STACKED



EXTERIOR

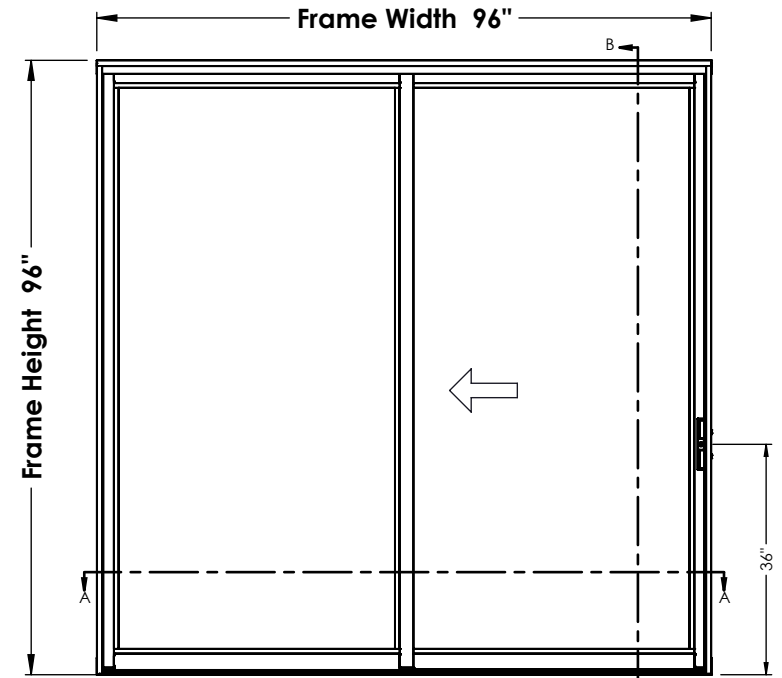
EXTERIOR



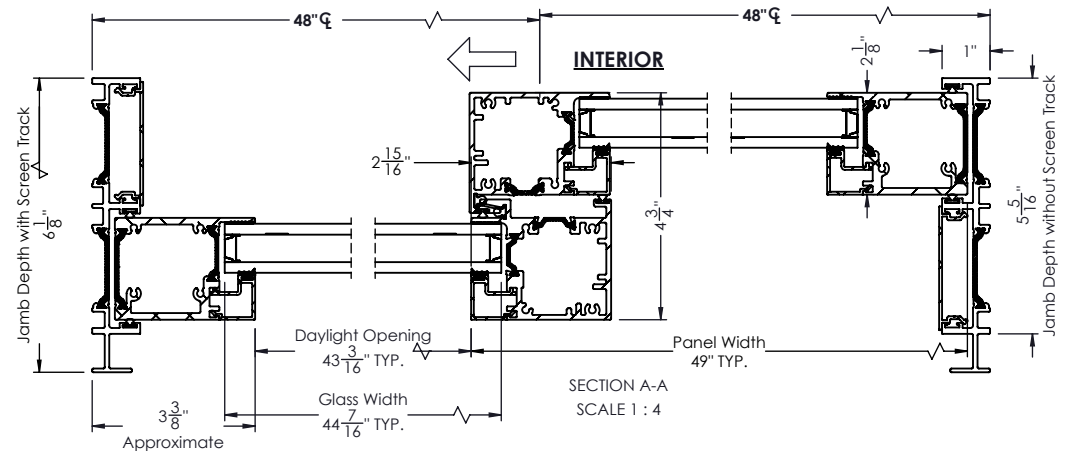
SECTION B-B
SCALE 1 : 4

Panel Height
93 1/2" TYP.

Glass Height
88 15/16" TYP.



EXTERIOR ELEVATION



INTERIOR

SECTION A-A
SCALE 1 : 4

PROPRIETARY AND CONFIDENTIAL
THE INFORMATION CONTAINED IN THIS DRAWING IS THE SOLE PROPERTY OF RAM WINDOWS & DOORS. ANY REPRODUCTION IN PART OR AS A WHOLE WITHOUT THE WRITTEN PERMISSION OF RAM WINDOWS & DOORS IS PROHIBITED.



LEAD TIME		CUSTOMER	RAM S3000
GLASS WARRANTY		PROJECT	OX SLIDING DOOR
FRAME WARRANTY		CITY	
FINISH WARRANTY		STATE	
U-FACTOR		OUTER GLASS	
SHGC		AIR SPACE	
OA GLASS THICKNESS	1"	INNER GLASS	

UNLESS OTHERWISE SPECIFIED: DIMENSIONS ARE IN INCHES TOLERANCES:	NAME	DATE
	DRAWN CG	11/1/2023
FRACTIONAL: ± 1/16 ANGULAR: MACH/BEND: ± 1 TWO PLACE DECIMAL ± 0.01 THREE PLACE DECIMAL ± 0.005	ENG	
	MARK	
MATERIAL:	QTY.	
	FINISH	
DO NOT SCALE DRAWING	DP	
	SCALE: 1:30	

RAM WINDOWS AND DOORS		
TITLE: RAM S3000, OX SLIDING DOOR		
SIZE A	WTS NUMBER	REV
	OX-Top-Assembly	
WEIGHT: 461.848	SHEET 1 OF 1	