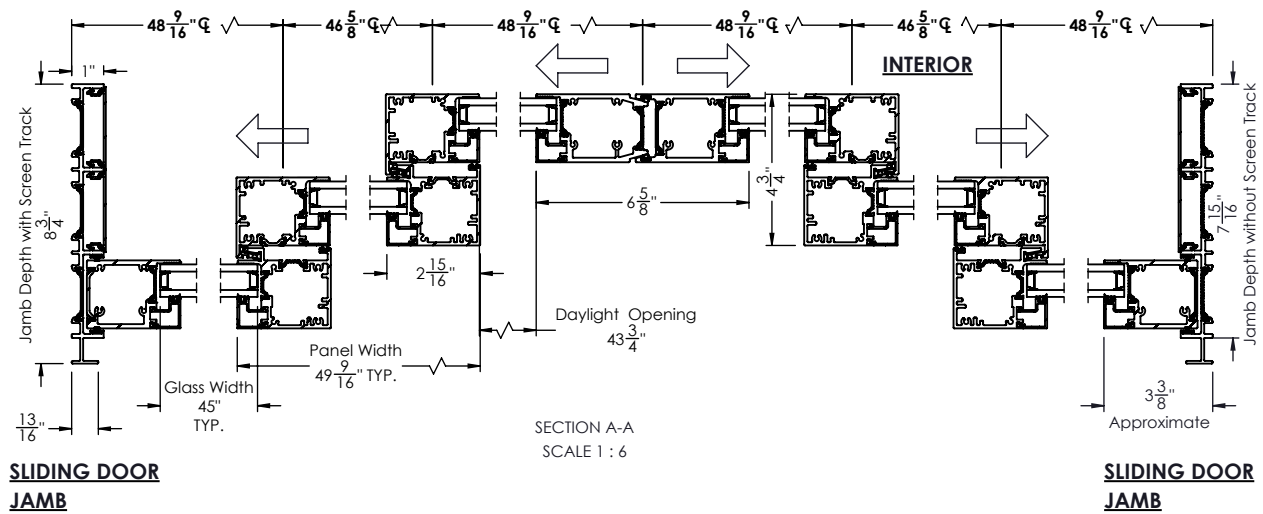
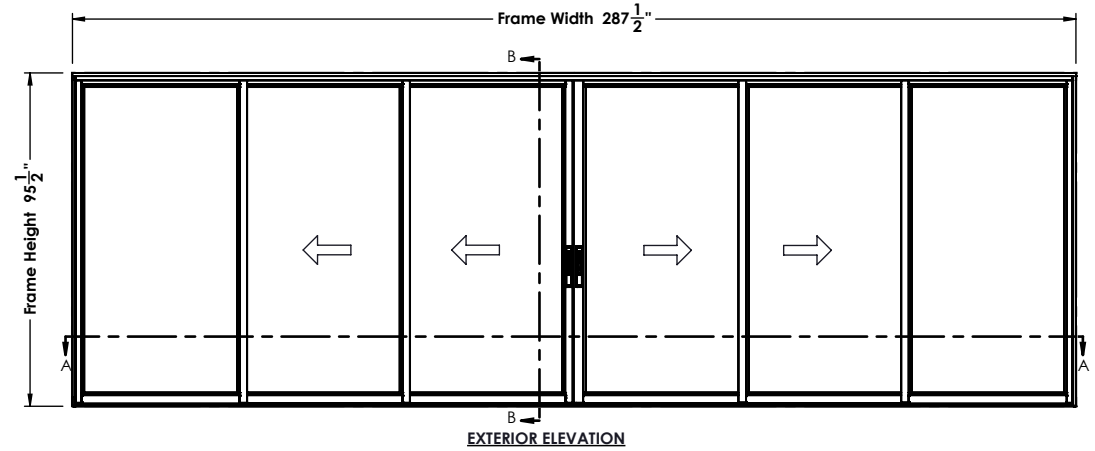
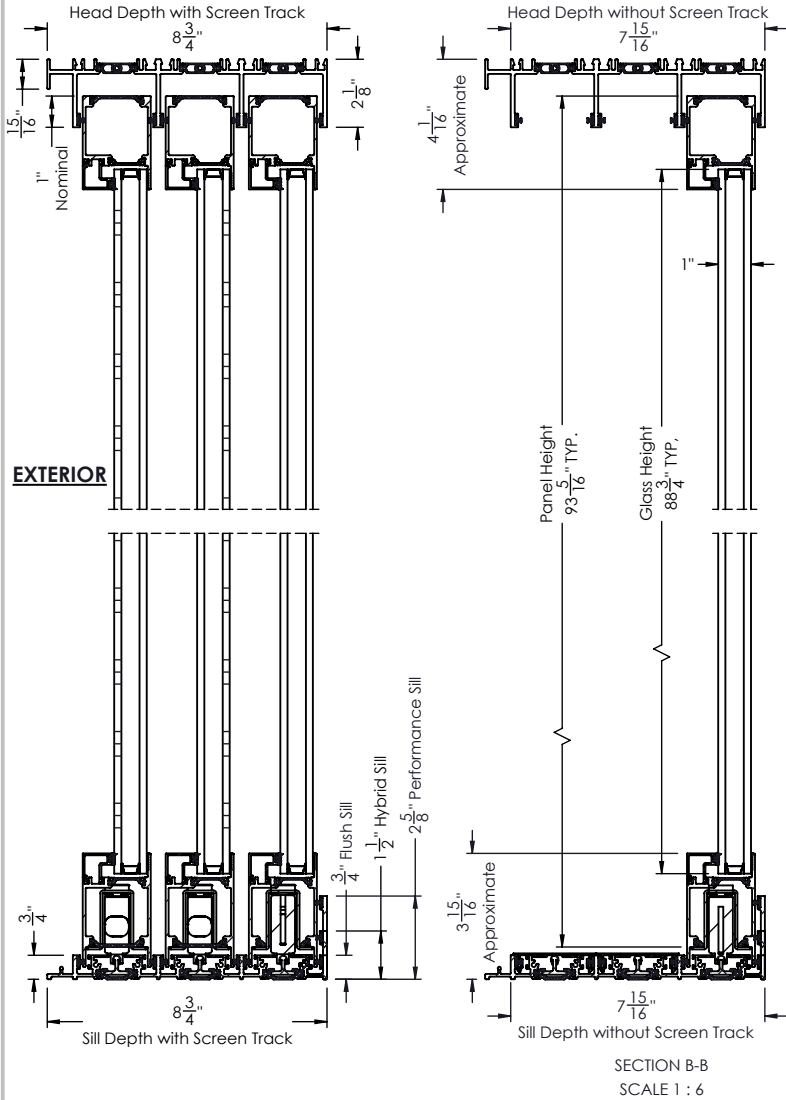


RAM S3000 OXXXXO SLIDING DOOR

| | | REVISIONS | | |
|------|-----|-----------------|------------|----------|
| ZONE | REV | DESCRIPTION | DATE | APPROVED |
| | 0 | Initial Release | 10/31/2023 | |

STACKED PANELS



PROPRIETARY AND CONFIDENTIAL

THE INFORMATION CONTAINED IN THIS DRAWING IS THE SOLE PROPERTY OF RAM WINDOWS & DOORS. ANY REPRODUCTION IN PART OR AS A WHOLE WITHOUT THE WRITTEN PERMISSION OF RAM WINDOWS & DOORS IS PROHIBITED.



| | | | | | | | |
|--------------------|----|-------------|---------------------|--|-------------|------------|-----------------------|
| LEAD TIME | | CUSTOMER | RAM S3000 | UNLESS OTHERWISE SPECIFIED: DIMENSIONS ARE IN INCHES TOLERANCES: | DRAWN BY | DATE | RAM WINDOWS AND DOORS |
| GLASS WARRANTY | | PROJECT | OXXXXO SLIDING DOOR | | CG | 10/31/2023 | |
| FRAME WARRANTY | | CITY | | FRACTIONAL: ± 1/16 | ENG | | TITLE: |
| FINISH WARRANTY | | STATE | | ANGULAR: MACH/BEND: ± 1 | MARK | | RAM S3000 |
| U-FACTOR | | OUTER GLASS | | TWO PLACE DECIMAL ± 0.01 | GTY. | | OXXXXO SLIDING DOOR |
| SHGC | | AIR SPACE | | THREE PLACE DECIMAL ± 0.005 | FINISH | | WTS NUMBER |
| OA GLASS THICKNESS | 1" | INNER GLASS | | MATERIAL: | DP | | REV |
| | | | | DO NOT SCALE DRAWING | SCALE: 1:55 | | OXXXXO-Top-Assembly |
| | | | | | | | WEIGHT: 630411.913 |
| | | | | | | | SHEET 1 OF 1 |

| | | |
|------|---------------------|--------------|
| SIZE | WTS NUMBER | REV |
| A | OXXXXO-Top-Assembly | |
| | WEIGHT: 630411.913 | SHEET 1 OF 1 |