

Engineered Solutions. Trusted Results.

## HANDLES AND COVERS

### Encore® Tango®

Tango is an innovative handle and cover design which fits our Encore operator series. Encore incorporates all the same strength and performance characteristics of our Maxim® operators



### product highlights

- Smaller sealable housing gasket
- Reduces water/air infiltration and eliminates caulking
- Removable cover that reduces inventory costs by allowing non-color specific operators to be stocked
- Integrated snap feature allows fastenerless cover attachment
- Full flip folding handle

### Available Colors

#### Blacks



Black

Matte Black

#### Brasses

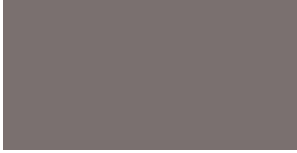


Antique Brass



Bright Brass

**Browns**



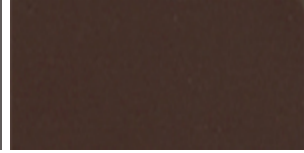
Bronze



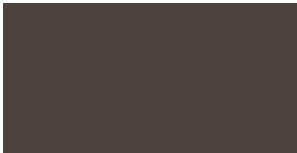
Brown



Chestnut Bronze

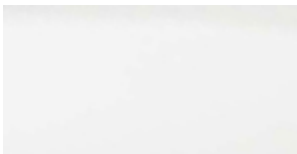


Faux Bronze



Brown

**Chromes**



Bright Chrome



Brushed Antique Chrome

**Golds**



Gold Metallic

**Greys**



Aluminum



Clay Metallic



Faux Nickel



Silver Grey

**Nickels**



Satin Nickel

**Oil Rubbed Bronzes**

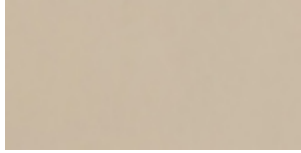


Oil Rubbed Bronze

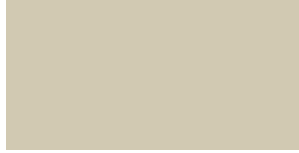


Oil Rubbed Bronze 51

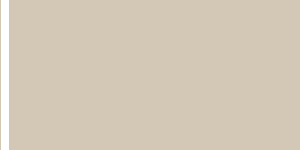
**Tans**



Adobe



Almond



Beige



Coppertone



Adobe



Sandstone

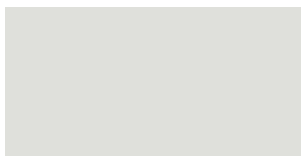


Sahara Beige

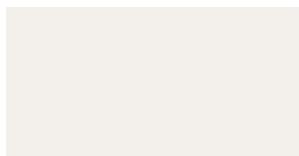


Sandstone

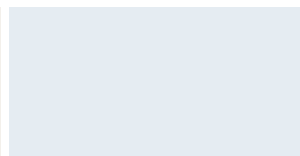
**Whites**



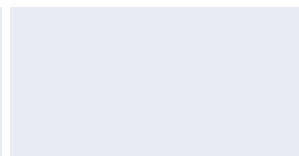
32 White



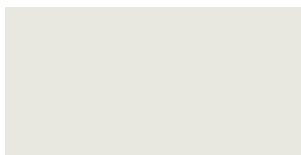
38 White



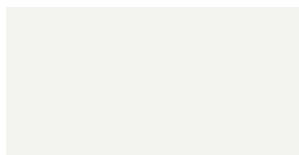
Bright White



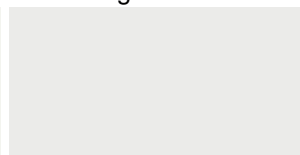
Bright White



Off White



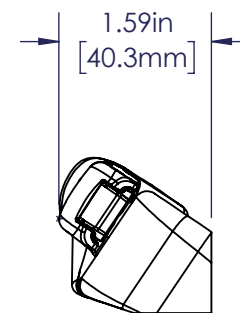
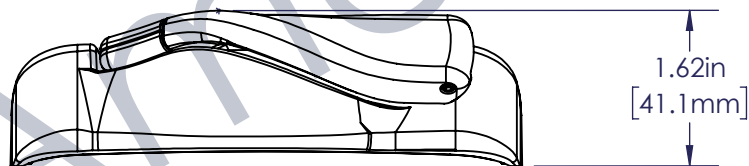
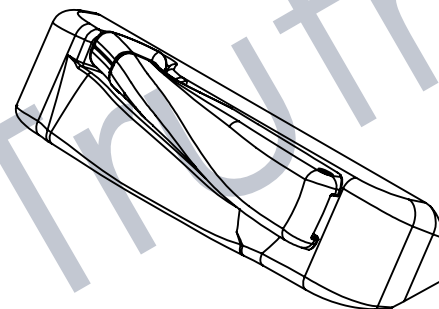
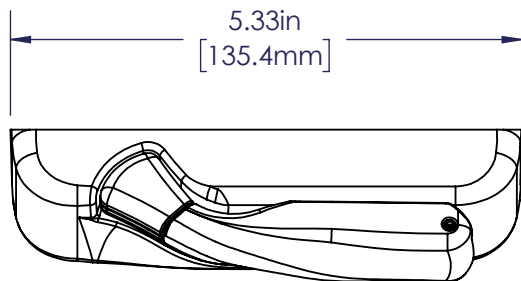
Snow White



WC White



White



NOTE  
LEFT HAND SHOWN. RIGHT HAND IS 12615.XX.

CUSTOMER PAGE

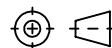
 **Amesbury Truth**<sup>™</sup>  
Engineered Solutions. Trusted Results.

THE INFORMATION CONTAINED IN THIS DRAWING IS CONFIDENTIAL AND PROPRIETARY. THIS DRAWING IS NOT TO BE COPIED OR REPRODUCED IN WHOLE OR IN PART WITHOUT EXPRESS WRITTEN PERMISSION.

INTERPRET PER:  
ASME Y14.5M-2009

UNITS: INCH

THIRD ANGLE  
PROJECTION



DRAWING TITLE:

ENCORE TANGO OPERATOR HANDLE AND COVER, LH

SCALE: 1:1

SHEET 1 OF 1

DRAWING #:  
**12614.XX**



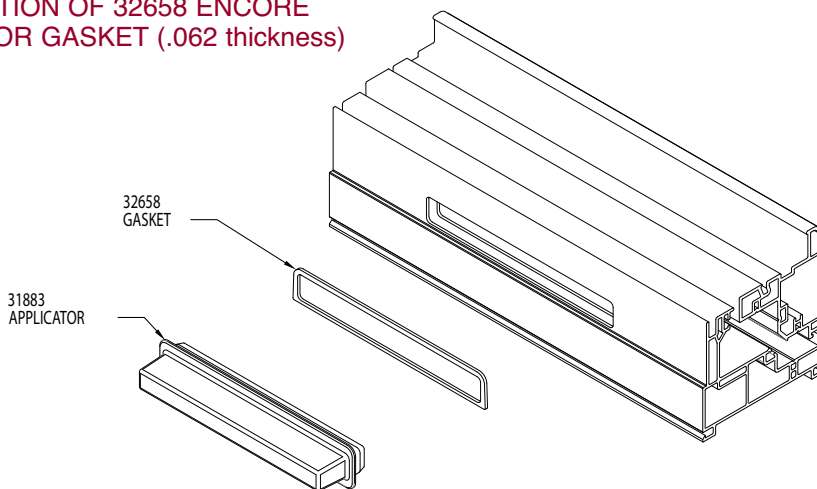
There are numerous accessories that have been designed to help provide the optimum results in both installation and function. The items listed here such as the #32658 and #32855

Gaskets and the #31883 Applicator are examples of such. In instances where an additional level of sealing is necessary, the Encore Gaskets will help you achieve this.

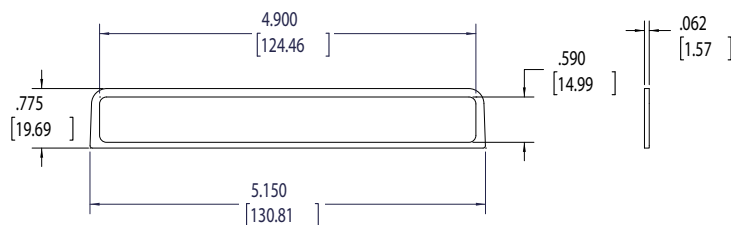
**ORDERING INFORMATION**

1. Please refer to the following drawings for specific information regarding the item numbers to order.

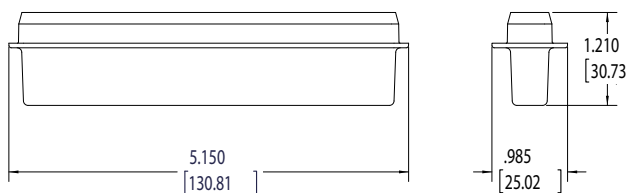
**FIG. 1 APPLICATION OF 32658 ENCORE OPERATOR GASKET (.062 thickness)**



**FIG. 2 ENCORE OPERATOR GASKET 32658 (32855 Gasket with .093 thickness not shown)**



**FIG. 3 ENCORE OPERATOR GASKET APPLICATOR 31883**



**FIG. 4 ENCORE OPERATOR SHIMS**

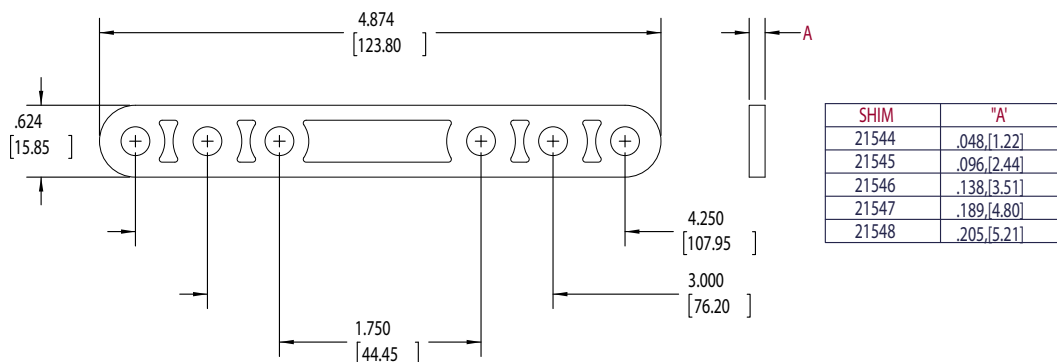


FIG. 5 APPLICATION OF TANGO FOLDING HANDLE COVER 12614.XX (LH) (SHOWN) 12616.XX (RH)  
(Sold as cover and handle package only)

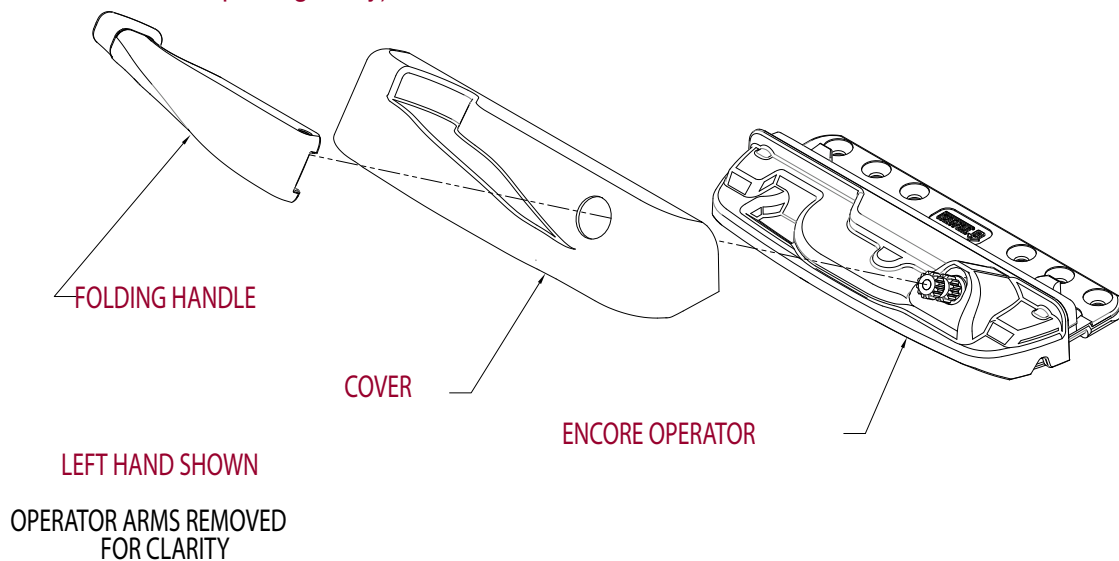


FIG. 6 DIMENSIONS FOR TANGO FOLDING HANDLE COVER (LH) (SHOWN)

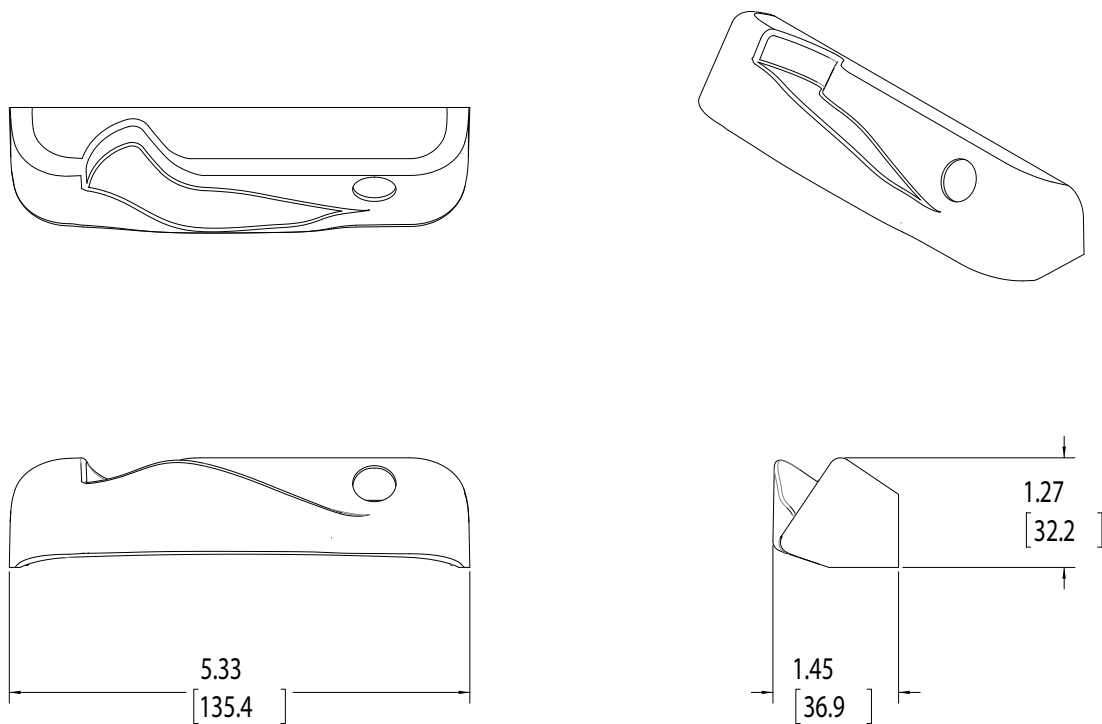


FIG. 7 APPLICATION OF CLASSIC FOLDING HANDLE COVER 13342.XX (LH) (SHOWN) 13343.XX (RH)  
(Sold as cover and handle package only)

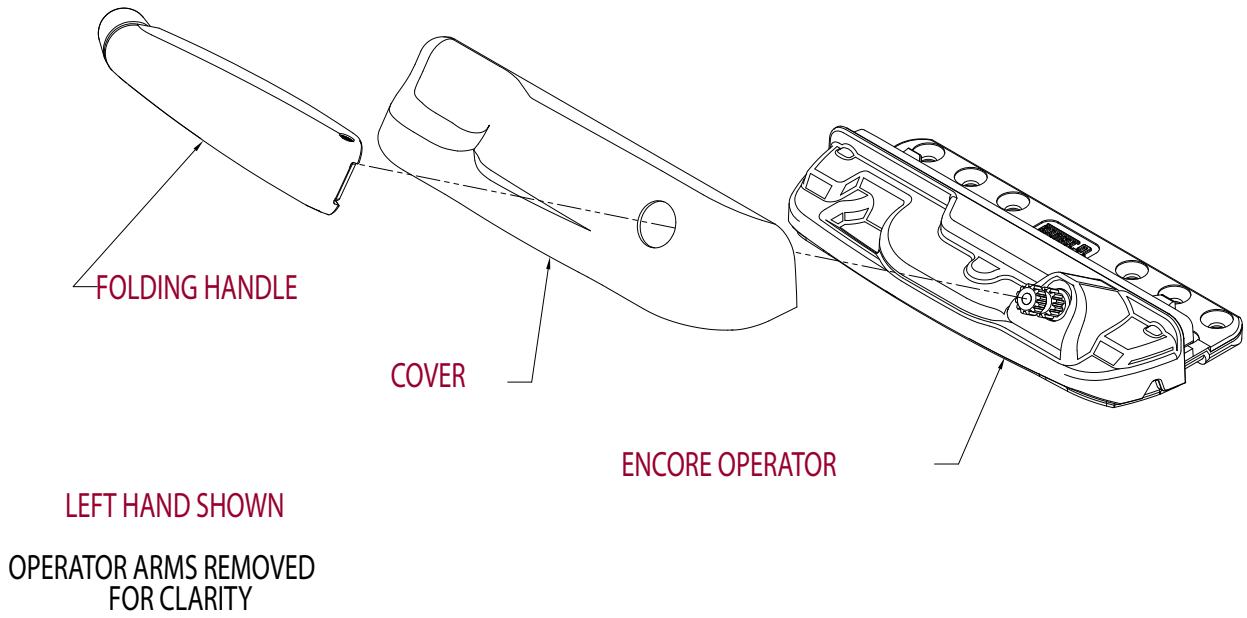


FIG. 8 DIMENSIONS FOR CLASSIC FOLDING HANDLE COVER (LH) (SHOWN)

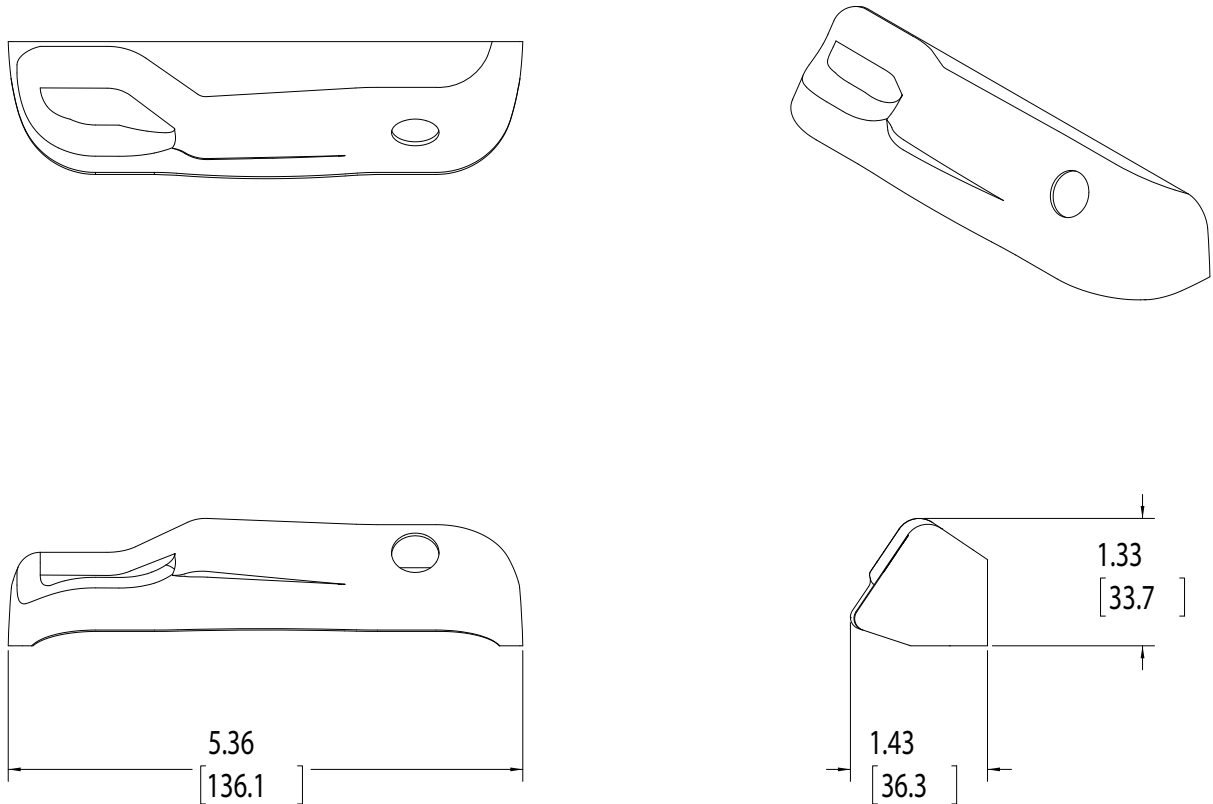


FIG. 9 APPLICATION OF FOLDING HANDLE COVER 13541.XX (LH) (SHOWN) 13542.XX (RH)  
(Sold as cover and handle package only)

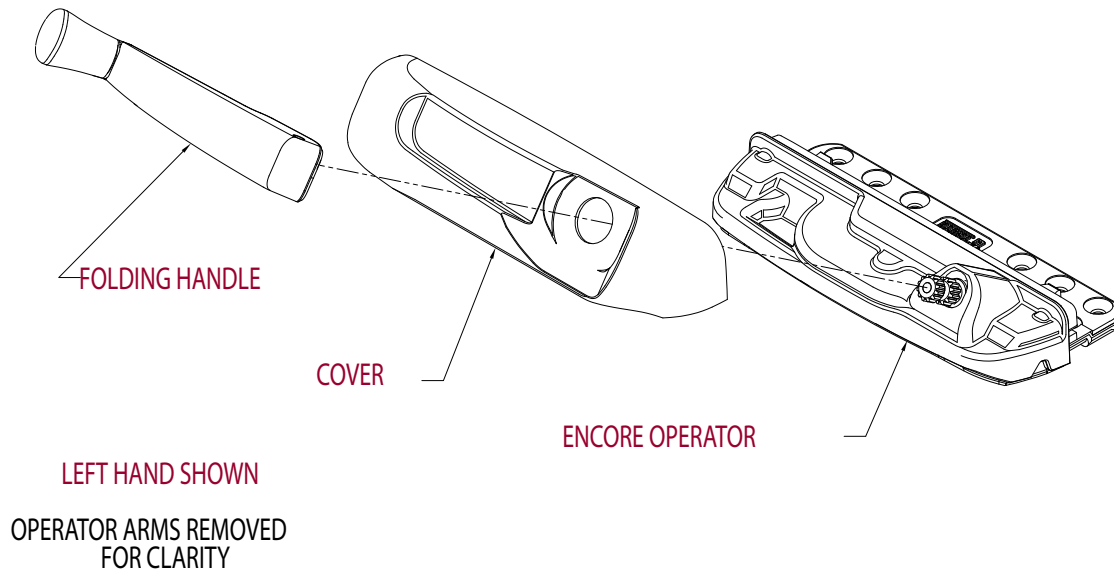


FIG. 10 DIMENSIONS FOR FOLDING HANDLE COVER (LH) (SHOWN)

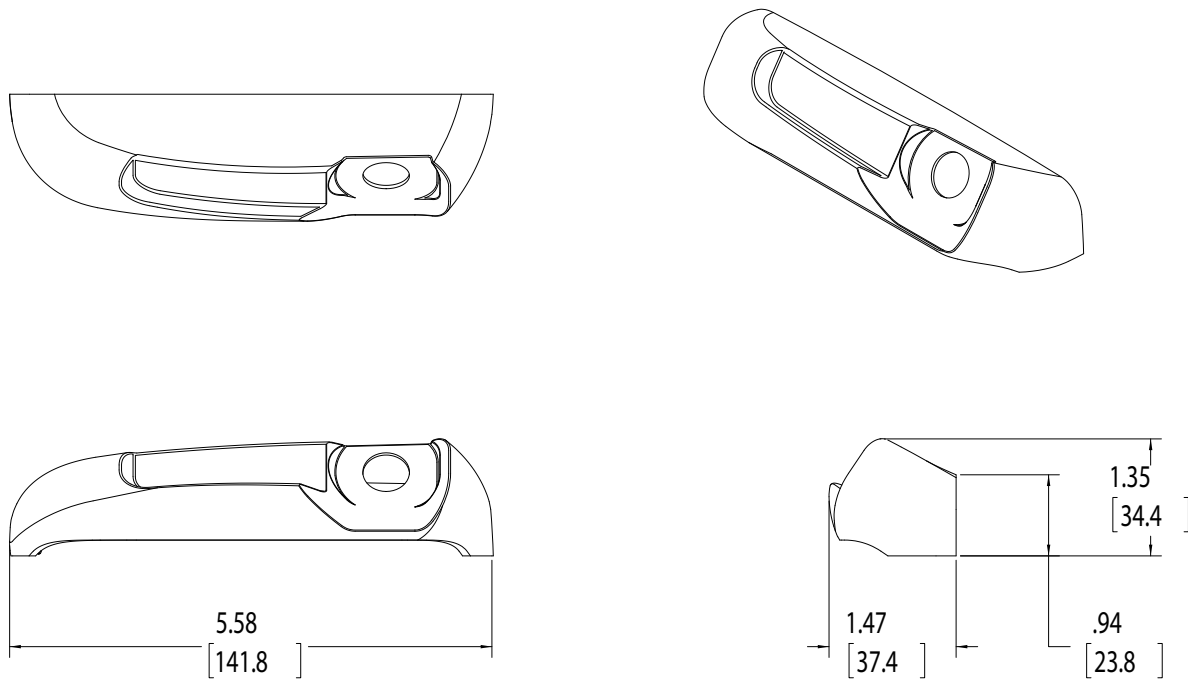




FIG. 11 APPLICATION OF ADA HANDLE COVER 14267.XX (LH) (SHOWN) 14268.XX (RH)  
(Sold as cover and handle package only)

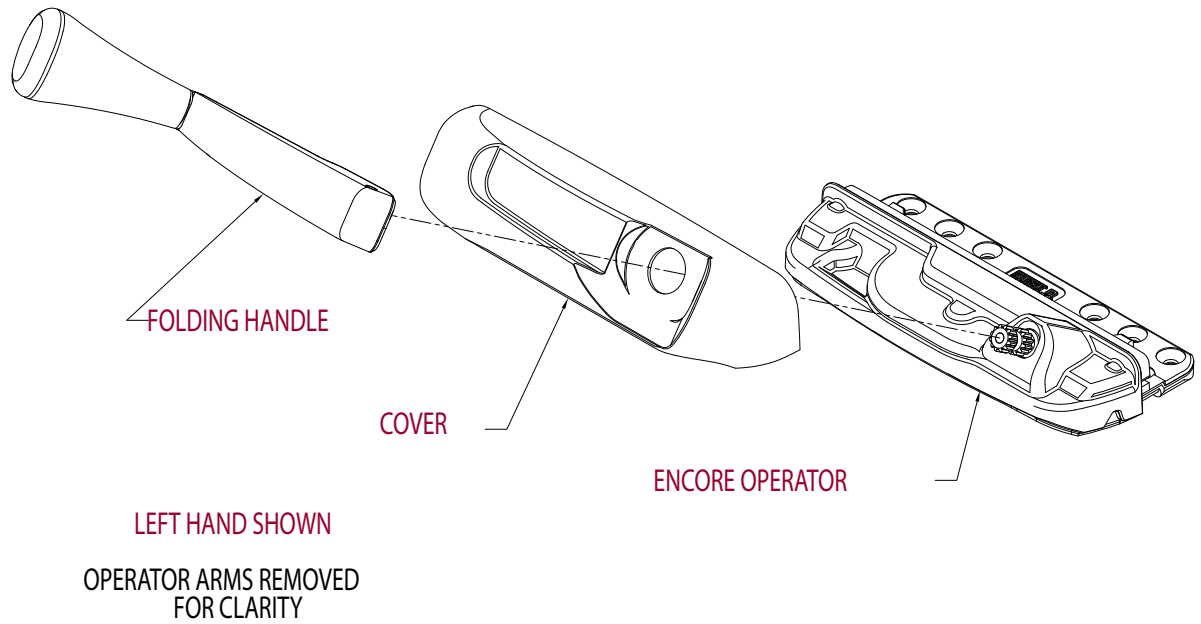
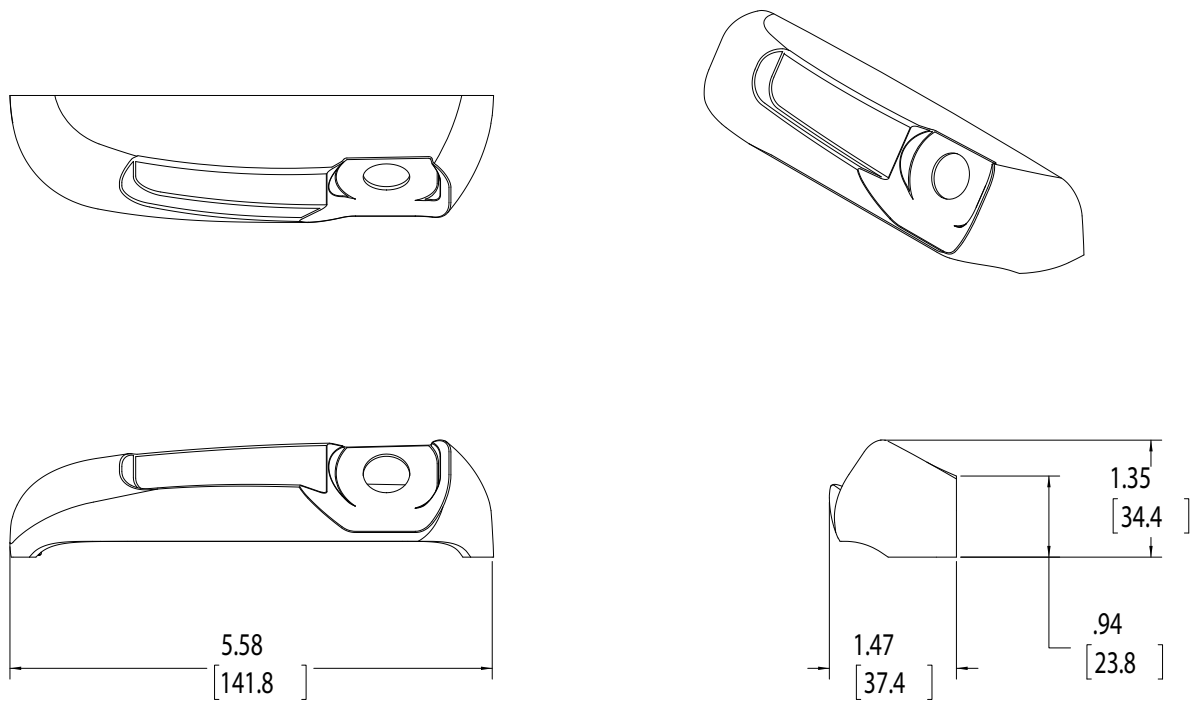


FIG. 12 DIMENSIONS FOR FOLDING HANDLE COVER (LH) (SHOWN)



**THE ENCORE™ SYSTEM  
OPERATOR ACCESSORIES**